



Rail in a Box fitting instructions

Components

Rail in a Box can be installed onto any vertical wall or surface using the appropriate fixings, to provide a sleek yet strong handrail solution. The available kit includes the followings parts;

- 5 x Wall Patrice • 1 x Right Hand Connector
- 1 x Left Hand Connector
- 3 x Intermediate Connector • 4 x 1m Handrail

Standard 13 Tread Flight

To install **the Rail in a Box** onto a typical 13 tread staircase, starting at the bottom of the flight, you must first measure and mark the 5 x Wall Patrice positions onto the wall. Starting from the first tread nosing, measure vertically a distance of 900mm and mark on the wall, making sure the mark is vertically level with the tread nosing using a spirit level (Fig. 1). Next repeat this at the top of the flight, using the last tread nosing which leads onto the landing as your starting point (Fig. 2).

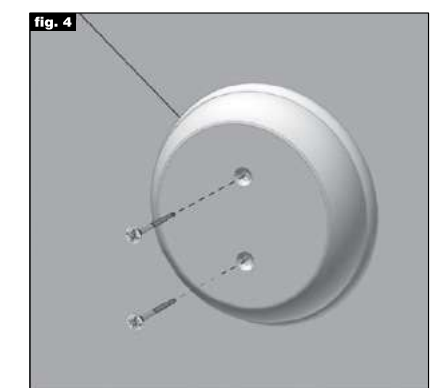
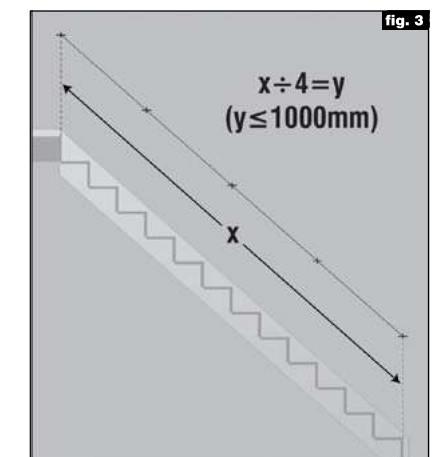
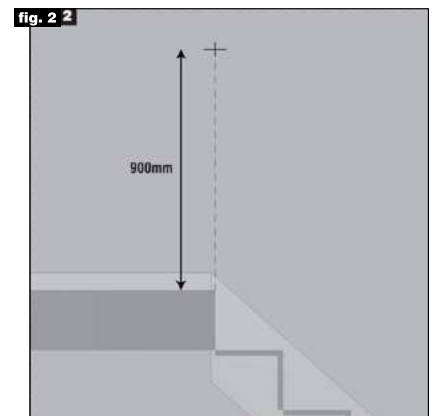
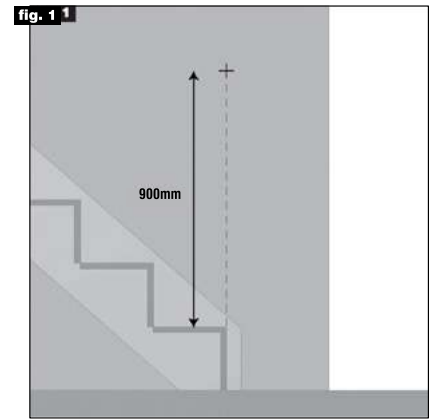
Now strike a plumb line through the two points, using a suitable marking tool that can be easily removed or a piece of taught string, this plumb line will enable you to mark the other Wall Patrices in the correct position. Next you must measure the length of this line between the two vertical points that you have marked (x in the equation), then divide this number by 4 ensuring the result (y in the equation) is not more than 1000mm, and using your measurement mark these other centre positions along the line (Fig. 3).

Next you must cut the lengths of Handrail down if the result of your calculated measurement is less than 1000mm. Using a suitable saw, mark and cut each length of Handrail down to your measurement, ensuring the cuts are accurate and level.

Now starting at the bottom using your first marked position, drill and secure the first Wall Patrice onto the wall using appropriate fixings (Fig. 4).

Repeat this and fix the next Wall Patrice moving up the stairs.

(PLEASE NOTE: We suggest that you do try and hide the screws behind the bracket, however it is entirely your decision on where these are placed and the what appropriate fixings you decide to use, Whilst every care has been taken to ensure the information contained within these fitting instructions are correct, they are only a general guide, every situation is different. Please read through the fitting instructions fully before commencing any fitting, Cheshire Mouldings will not be held responsible for any mistakes made through incorrect fitting. Cheshire Mouldings reserve the right to amend the fitting instructions at any time.



Next you can now start to assemble your handrail firstly measure on your handrails the dead centre of the ends of all the handrails (these need to be dead centre on all handrails to avoid misalignments across the handrail length) Fig. 5.

Measure the depth of the screw and drill a perfectly level pilot hole to the depth of the screw Fig. 6.

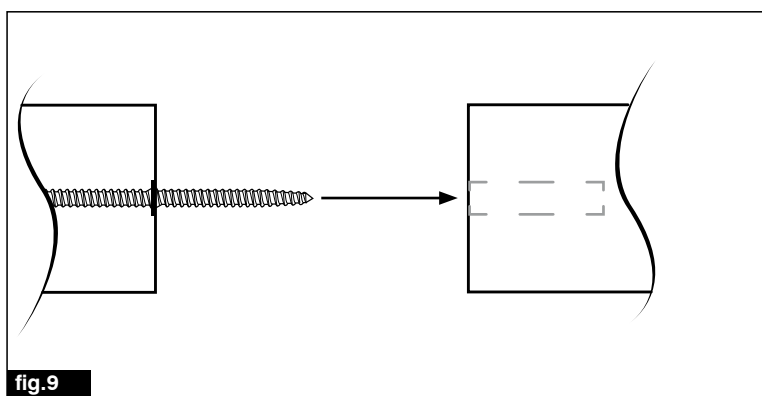
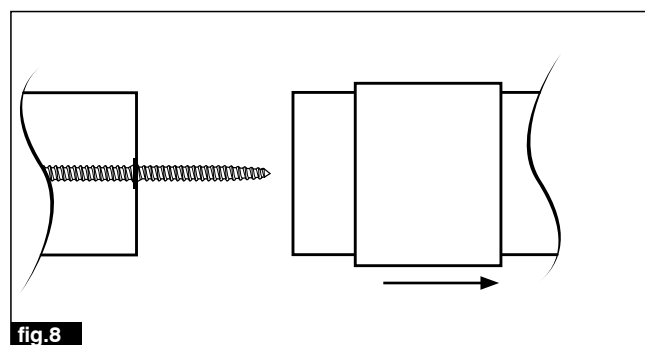
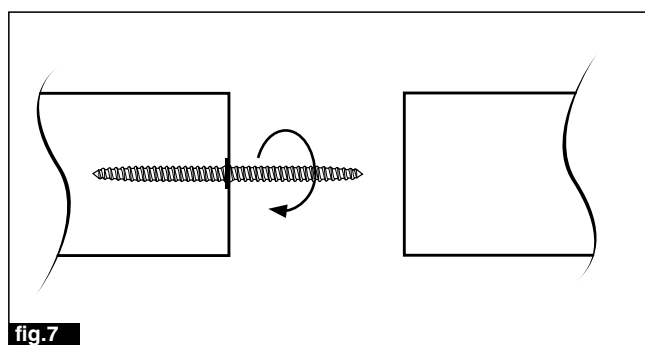
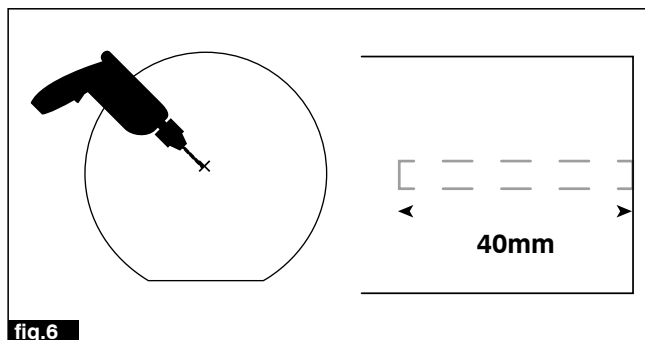
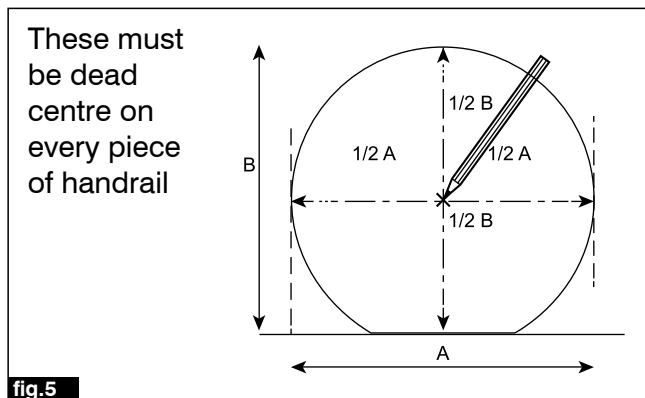
Take the threaded screw and wind it in to the pilot hole using a suitable spanner or pliers. Fig. 7.

Once the screw is securely tightened you need to take your intermediate connector and gently slide it over one end of the handrail be very careful not to damage the handrail Fig. 8.

You now need to twist the existing handrail with the screw into the next piece of handrail, align it to the other handrail and twist the handrail by hand into the other piece of handrail until both ends but up to each other. Fig. 9.

Slide the handrail intermediate connector back over the join and secure with two screws from underneath Fig. 10.

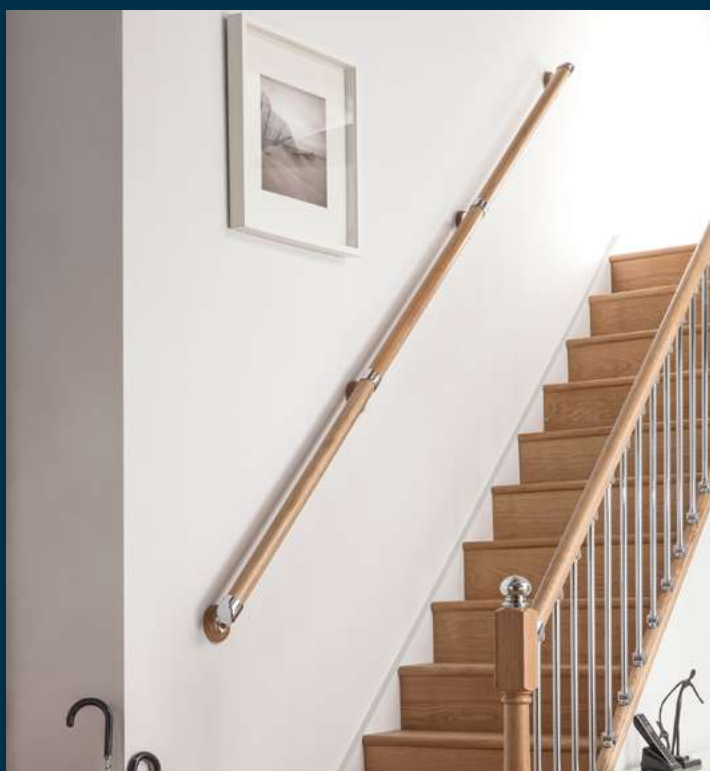
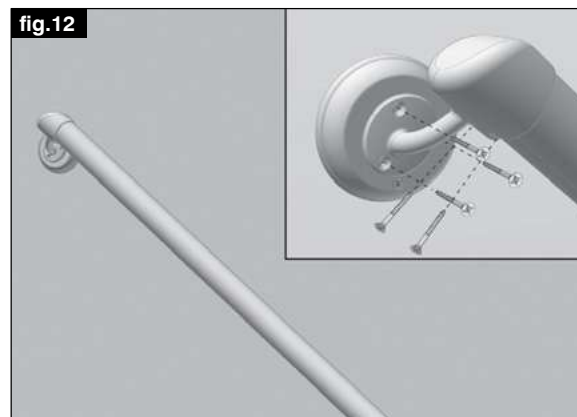
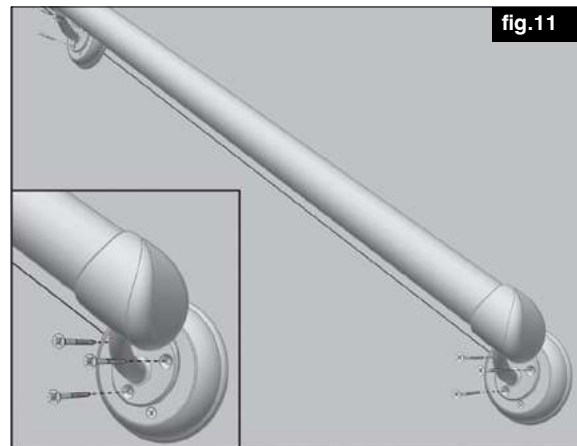
Repeat these steps for all lengths of handrail



Next you can assemble the LH or RH Connectors (depending on the orientation of your stairs) with the length of handrail and Intermediate connectors, making sure you have appropriate screws going into the underneath of the connectors, now mount these to your wall patrices, ensuring it is lined up with all marks and central on the patrice using appropriate fixings (Fig. 11 and 12).

You have now completed the installation of the **Rail in a Box**, you can now remove the original marked plumb line and check all fixings are secure and tightened.

Cleaning of the product can be done with a damp cloth or a lint free dry cloth depending on the level of cleaning required. Avoid the use of heavy detergents as this can damage the finish to the timber components.



CHESHIRE
mouldings

Love the home you're in

Main Office: Cheshire House,
Unit 4, Abbotsfield Road,
St. Helens
WA9 4HU

01744 811 545

www.cheshiremouldings.co.uk