



# CHESHIRE mouldings

Love the home you're in



## 1200 - 1600MM FLAT ROOF PORCH CANOPY



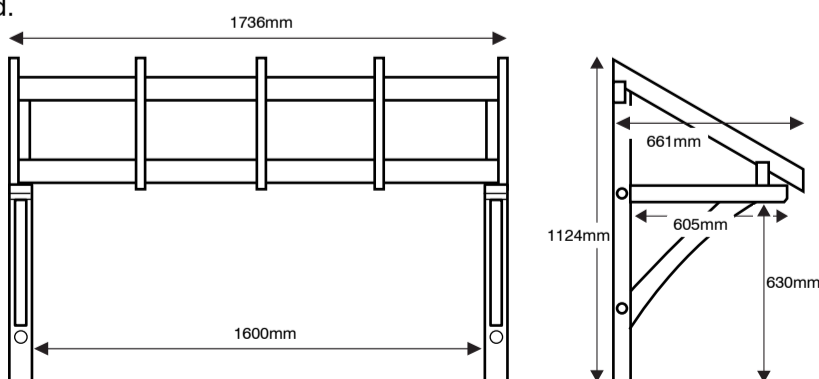
15 kg

**Canopy tested  
to hold a  
weight loading  
of 50kg/m<sup>2</sup>**

*Note: Roofing, Fascias, Finishing Components,  
Wall Fixings, and Exterior Glue are not included*

For Fitting Instructions visit  
[www.cheshiremouldings.co.uk/t/diy](http://www.cheshiremouldings.co.uk/t/diy)

- Check all components are present by opening pack.
- Pre-treat each Porch Canopy component using proprietary exterior grade preservative and end seal following the manufacturer's recommendations
- We recommend that all components are treated before fixing to wall e.g. painted, stained or varnished following the manufacturer's recommendations.
- When using the Porch Canopy combined with Cheshire Mouldings Porch Accessory Kits, allow for the preferred height of the accessories during planning out. The maximum height of accessory kits is 2400mm.
- Wall fixings are not included.



Cheshire Mouldings Porch Canopies have been structurally tested to hold a maximum weight loading of 50kg/m<sup>2</sup> Structural calculations are based on fixing to masonry surfaces such as brick, block and stone.

If fixing to other surfaces such as timber, we recommend you seek professional guidance/advice via a structural engineer.

## FITTING INSTRUCTIONS

1) Measure and mark the Gallows Brackets position on the wall ensure you do not exceed the maximum span of 1600mm Note: Cheshire Mouldings Porch Canopies do allow for adjustability of the upright positions to less than 1600mm this takes into account any features around the door.

2) Place the back purlin at the preferred location above the door, measure and mark. (fig 1)

3) Assemble the Gallows Brackets using exterior grade wood glue. (fig 2)

4) Place the 15mm diameter dowels that are supplied into the pre-machined draw-bored tenons. (fig 3)

5) Place and secure the assembled Gallows Brackets to either side of the door frame in the marked positions on your wall and fix using 2 x 12mm Steel Bolts (not supplied). (fig 4)

6) Glue the cover caps to hide fixings. (fig 5)

7) Place the back purlin at the preferred location above the door, Secure with a minimum of 2 x 12mm steel bolts (not supplied) (fig 6)

8) Place the front purlin at the preferred location above the door using the rafters as a guide, Secure in place to the top of the brackets using the metal angled brackets and the 35mm screws that are provided. (fig 7 & 8)

9) Evenly space out the rafters over the frame at equal spacing, fix at the top and bottom using the 100mm screws provided (fig 9)

Maintenance - We recommend that you retreat your Porch Canopy and Accessories Kits annually by cleaning and repainting, staining or varnishing always follow the manufacturer's recommendations.

