



Wall mounted handrail fitting instructions

The following instructions are for installing Timber Stairparts only.

If you have any queries please contact Cheshire Mouldings technical helpline on (0800) 085 3464.

Please Check, All components should be inspected BEFORE installation commences for any damage and all your items are correct before installations.

Whilst every care has been taken to ensure the information contained within these fitting instructions are correct, they are only a general guide, every situation is different. Please read through the fitting instructions fully before commencing any fitting, Cheshire Mouldings will not be held responsible for any mistakes made through incorrect fitting. Cheshire Mouldings reserve the right to amend the fitting instructions at any time.

If you are finishing your own stair balustrade, then we strongly recommend you complete this task prior to installation. The spindles in particular are easier to finish when loose. You will need to take extra care when installing pre-finished components and some touching up will undoubtedly be necessary around the cut areas. However this will result in a much quicker completion of your project.

Once the balustrade is installed then we recommend that a final coat of paint or varnish will help seal the joints and provide a better looking finish.

Regulations & Standards

Timber stairparts from Cheshire Mouldings have been independently tested. This means that they conform fully to the domestic requirements laid down by UK Building Regulations Part K, relating to guarding and resistance to horizontal force.

Relevant British Standards for compliance are BS585 Part 1 1989 and AMD 6510, concerning wooden stairs and their fixings; BS5395 Part 1 2010 about straight stairs; and BS6180 2011 with its code of practice for protective barriers.

Domestic

As stated, the Cheshire Mouldings balustrade systems conform to domestic standards as set out in Building Regulations Part K. This asserts that “The guarding should be able to resist a horizontal force of 0.36kN for each metre of length if it guards a private stairs”. Cheshire Mouldings spindles have also been tested in accordance with BS610.

Wall mounted handrails can be installed onto any vertical wall or surface using the appropriate fixings, to provide a sleek yet strong handrail solution.

To install wall mounted handrails onto a typical 13 tread staircase, starting at the bottom of the flight, you must first measure and mark the Wall Patrice positions onto the wall. Starting from the first tread nosing, measure vertically a distance of 900mm and mark on the wall, making sure the mark is vertically level with the tread nosing using a spirit level (Fig. 1). Next repeat this at the top of the flight, using the last tread nosing which leads onto the landing as your starting point (Fig. 2).

Now strike a plumb line through the two points, using a suitable marking tool that can be easily removed or a piece of taught string, this plumb line will enable you to mark the other Wall Patrices in the correct position. Next you must measure the length of this line between the two vertical points that you have marked (x in the equation), then divide this number by 4 ensuring the result (y in the equation) is not more than 1000mm, and using your measurement mark these other centre positions along the line (Fig. 3).

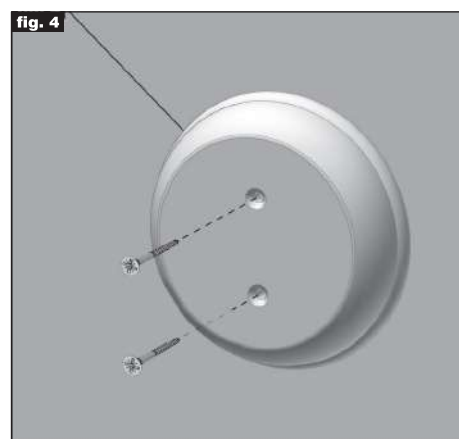
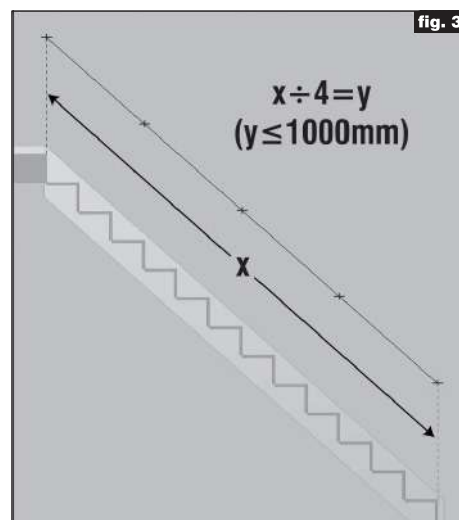
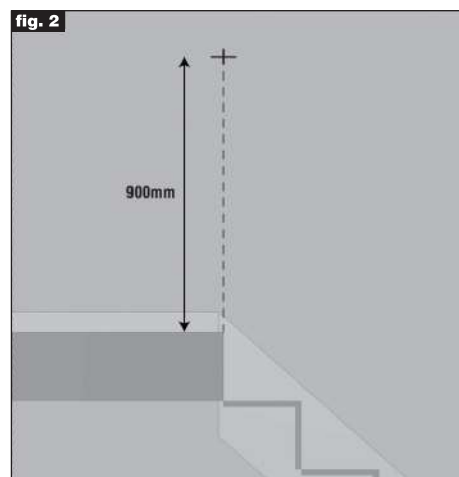
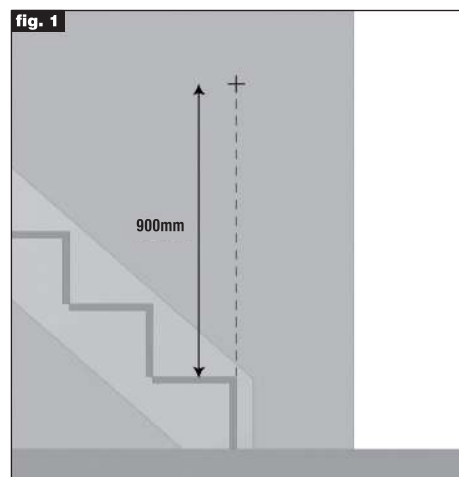
Next you must cut the handrail down using a suitable saw, mark and ensure the cuts are accurate and level.

Now starting at the bottom using your first marked position, drill and secure the first Wall Patrice onto the wall using appropriate fixings (Fig. 4).

Please Note;

Always remember to drill pilot holes with a suitably sized drill bit when fixing screws into timber, as this will prevent damage to the screw head and ensure an easier fit.

Repeat this and fix the next Wall Patrice moving up the stairs.



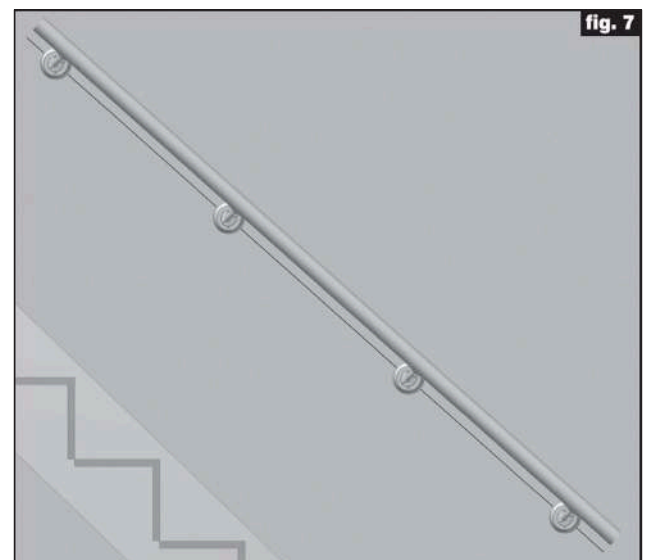
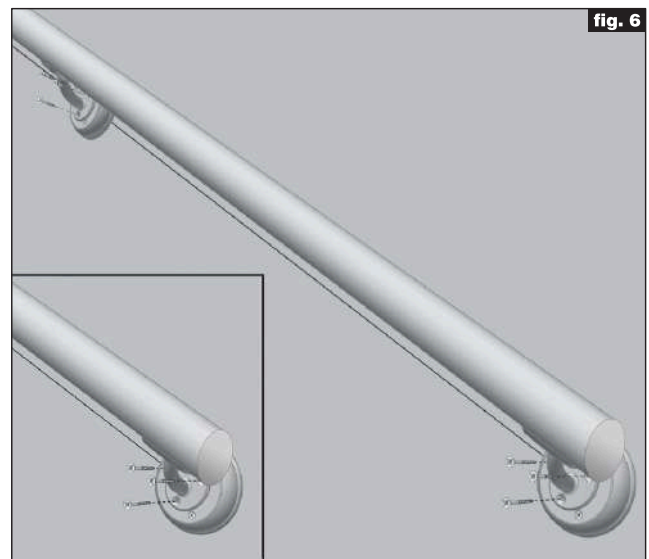
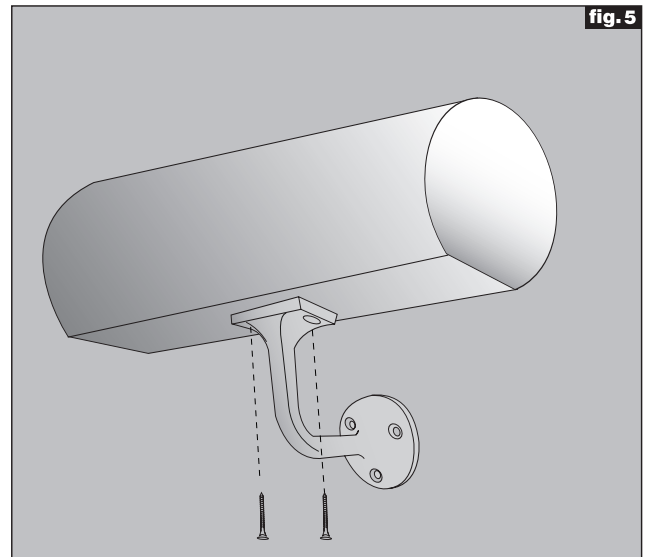
To fit the handrail brackets to the rail using the 1" screws provided, hold the handrail up to your wall and mark the location of the wall patrices on the the underside of the handrail (Fig. 5).

Drill pilot holes in the recommended positions as well as threading the holes with similar screws, repeat as necessary for all locations up the stairs. (Fig. 6).

With the handrail now assembled with the brackets and secure, you can now offer this up to the Wall Patrices and fix using the screws provided, ensuring the connectors are mounted centrally and in line with the Wall Patrices (Fig. 7).

You have now completed the installation of the handrail you can now remove the original marked plumb line and check all fixings are secure and tightened.

Cleaning of the product can be done with a damp cloth or a lint free dry cloth depending on the level of cleaning required. Avoid the use of heavy detergents as this can damage the finish to the timber components.



CHESHIRE
mouldings

Love the home you're in

We have a team of dedicated technical and expert advisors that will offer you the support you need with any planning and technical advice through your project from start to finish.

Cheshire House, 7 Normans Road, Sutton,
St Helens WA9 4JQ **Freephone 0800 0853475**
www.cheshiremouldings.co.uk