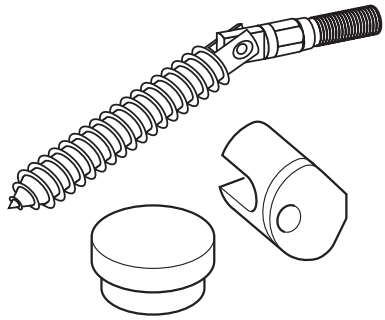
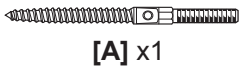


Stair Handrail to Newel Post Fixing Kit



Version 01 Bar Code: 5060035729913

Your product



[A] x1



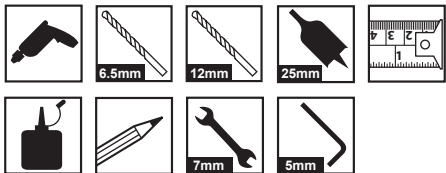
[B] x1



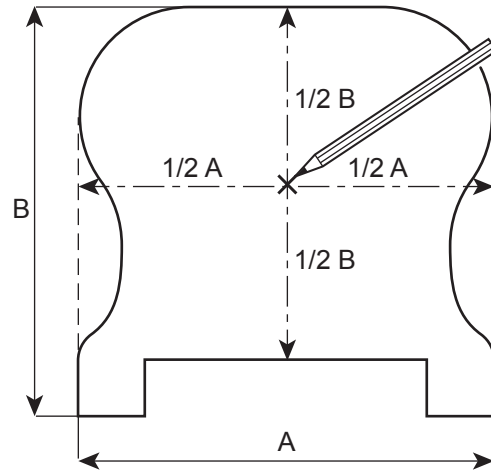
[C] x2

1x Oak / 1x Pine

You will need

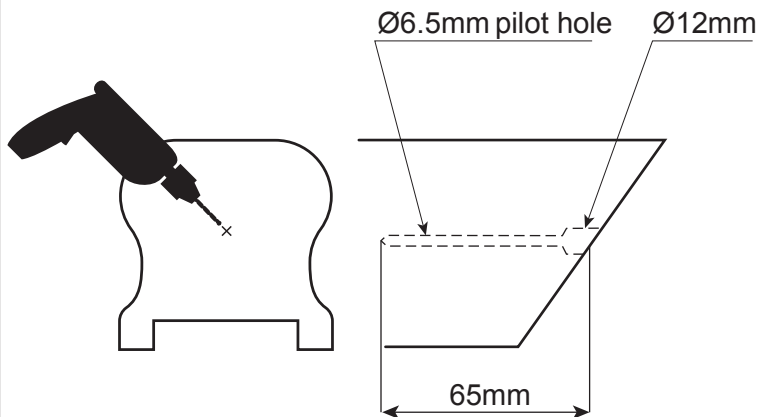


01

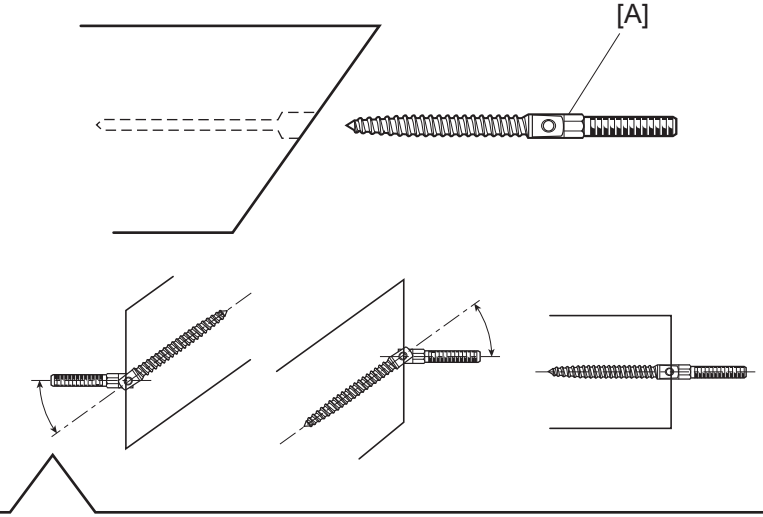
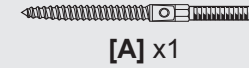


Once the handrail has been cut to the required length and at the desired angle, measure and mark the centre of the handrail. It is critical these measurements are correct to ensure an accurate fit.

02 Drilling and inserting the self tapping thread

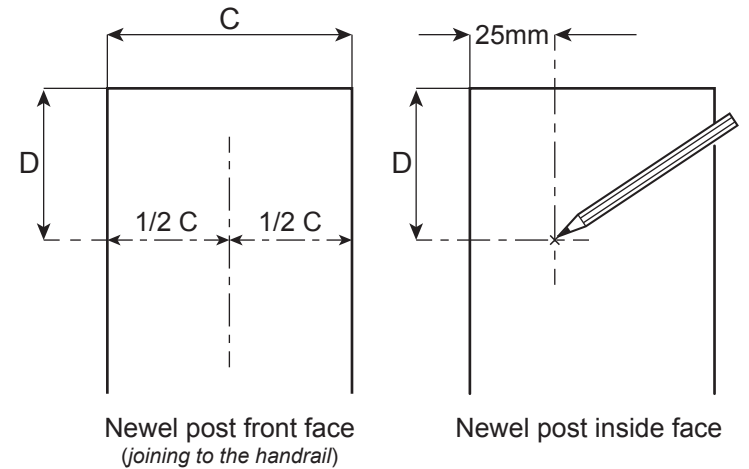


03



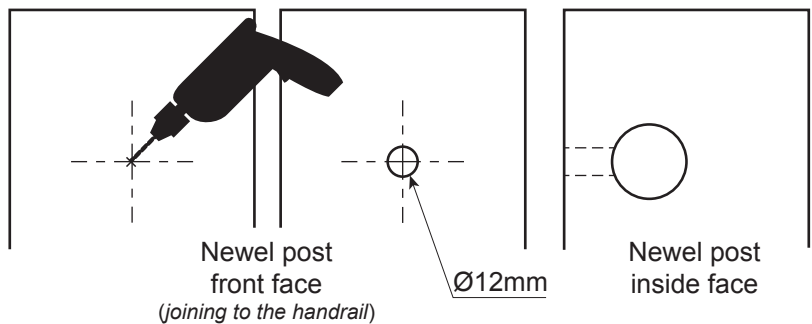
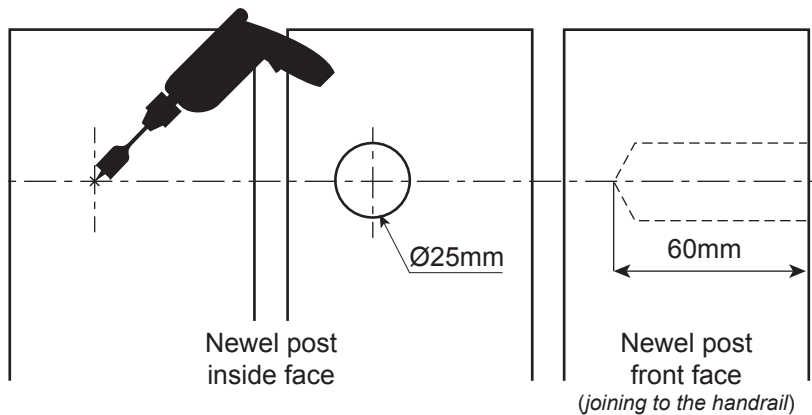
Use a 7mm spanner to insert (A) to the centre of the knuckle section ensuring hinge section can move freely.

04



Measurement 'D' will be determined by the required height of the handrail.

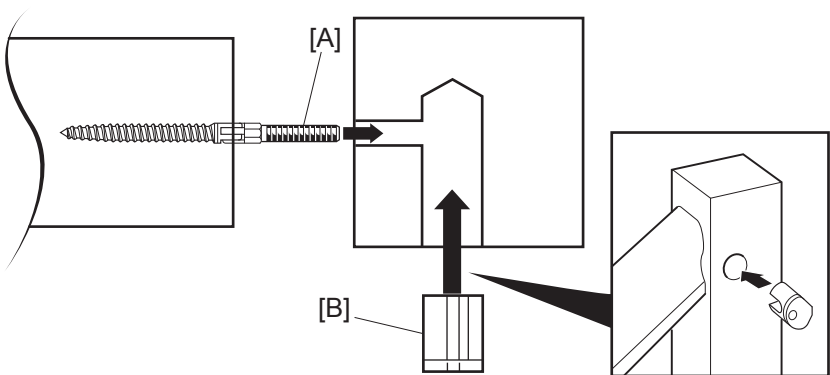
05



06



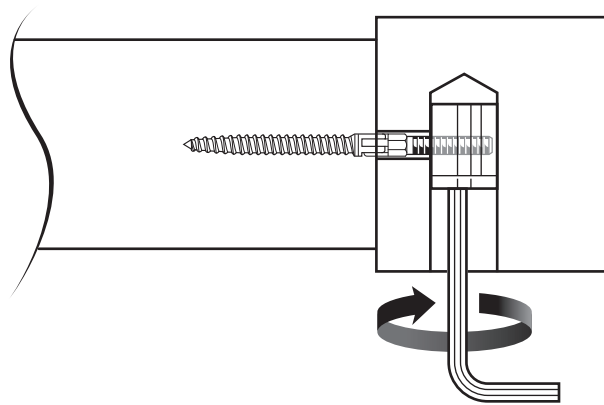
[B] x1



07



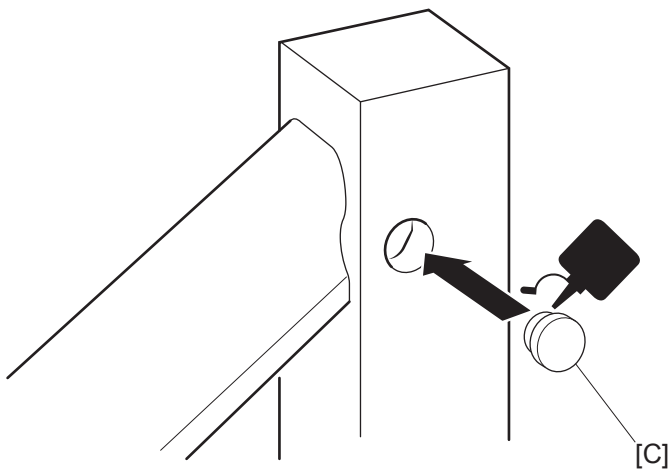
Ensure the handrail is securely fastened to the newel post



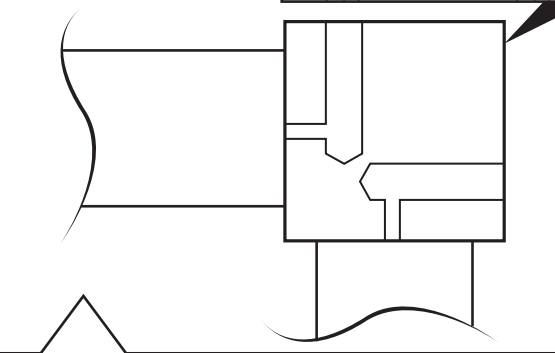
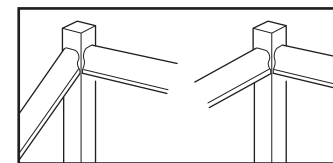
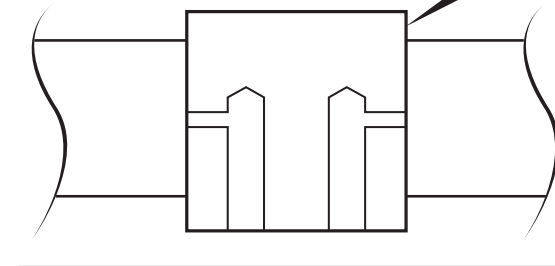
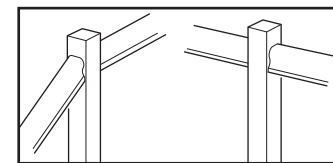
08



[C] x1



09



For the permutations above, follow steps 1 through to 5 to add further fastenings.



Check the pack and make sure all the components are included, if not call the Helpline on 0800 085 3475 and our team will get things sorted. When you are ready to start, make sure you have the right tools to hand. Don't rush, read the instructions first and run through the sequence before you begin. Assembly should be done in the stages shown in the drawings.