

**Square Wall
Mounted
Handrail**
Fitting
Instructions



These instructions are based on a typical 13 tread straight domestic flight. Please adjust your measurements to suit your situation.

Cutting handrail to length

First, measure the distance from nosing on bottom tread to nosing on top tread (**Fig.1**).

Cut your handrail to this measurement.

Spacing and fitting wall brackets

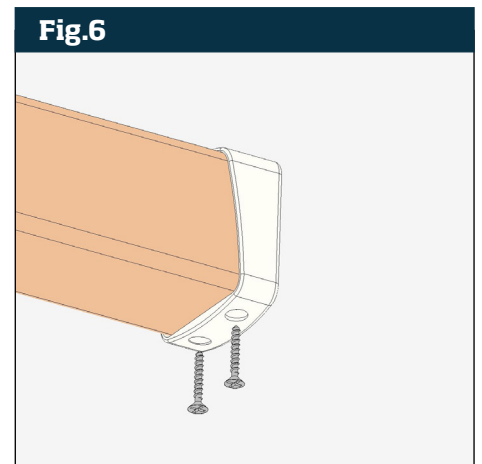
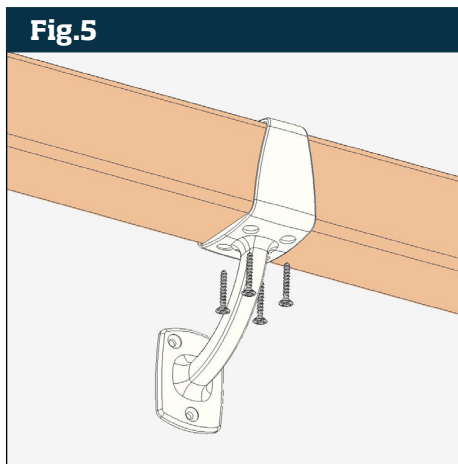
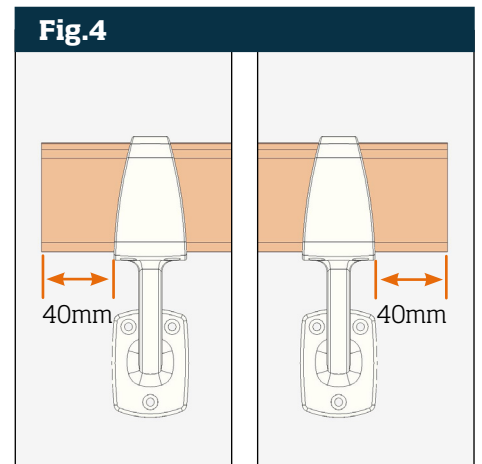
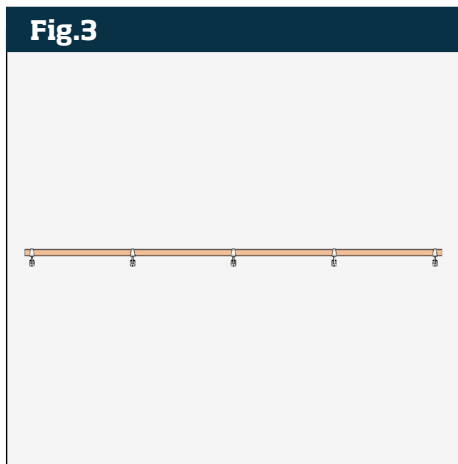
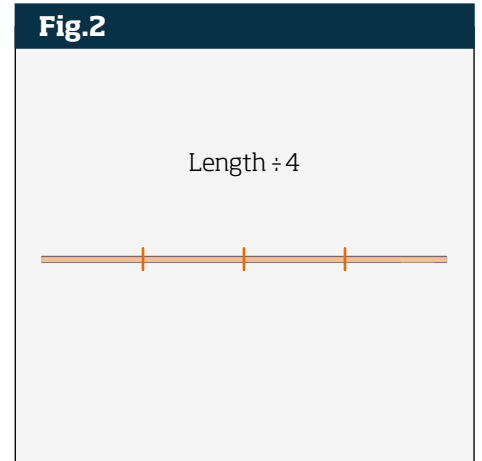
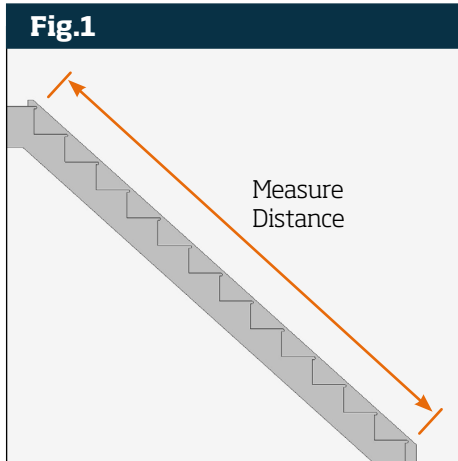
To establish wall bracket locations/centres, divide the handrail length by 4 and mark the measurements on the handrail (**Fig.2**).

Carefully slide the wall brackets onto the handrail to the previously marked centres (**Fig.3**).

The 2 x end wall brackets should be positioned 40mm from each end of the handrail (**Fig.4**). This is to allow room for the rail end caps.

Once the wall brackets have been located, mark through the 4 x screw hole locations on the underside of each bracket, pilot drill and fix using screws supplied (**Fig.5**).

Offer handrail end caps onto each end, mark screw hole locations, pilot drill and fix using screws supplied (**Fig.6**).



Installing to wall

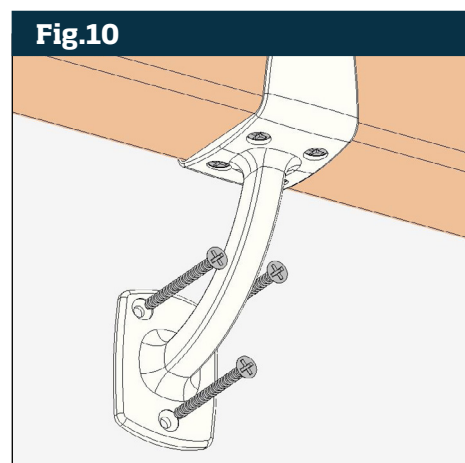
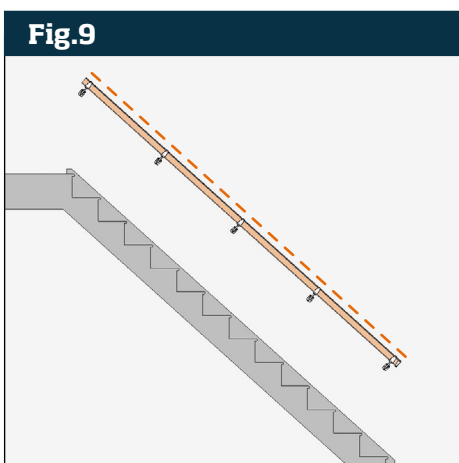
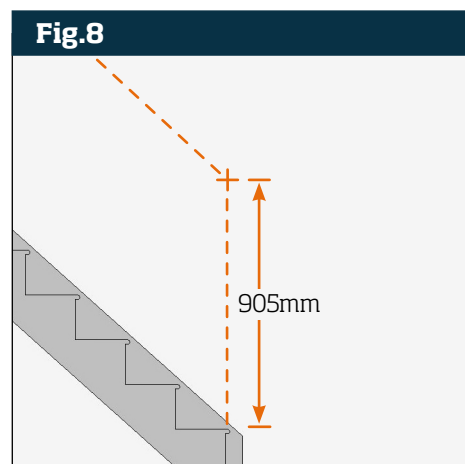
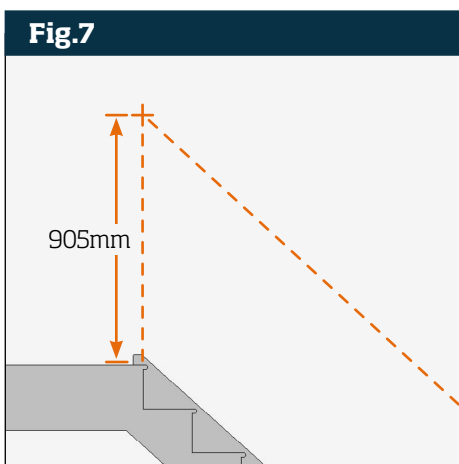
To install handrail to correct height and location, measure up 905mm vertically from top of nosing on top tread and mark **(Fig. 7)**.

Repeat for the nosing on the bottom tread and mark **(Fig. 8)**.

Strike a plumb line through the 2 points which represents the location for the top of handrail.

Offer top of handrail assembly up to the plumb line mark ensuring the handrail ends are vertically over the top and bottom tread nosing **(Fig. 9)**.

Mark through all bracket screw holes onto the wall. Drill and insert suitable plugs depending on type of wall. Secure wall brackets to wall using screws supplied **(Fig. 10)**.



CHESHIRE
mouldings
TRADE

Technical Helpline:
Freephone
0800 085 3475

