

Fire Door Lining Set

Fitting
Instructions



DC103 & DC 104

DESIGNED BY FITTERS FOR **EASY INSTALLATION**



Important Information

The following instructions are for installing the **Cheshire Mouldings Fire Door Lining Set**. Suitable for use with door sizes 762mm & 838mm. Compatible with 15mm x 4mm Intumescent Strips (not supplied).

Please note

All components should be inspected BEFORE installation commences for any damage, as Cheshire Mouldings cannot be held responsible for any damage caused during installation. We do not recommend the use of a sharp blade to open the packaging as this may damage the product.

Tools required

Pencil, tape measure, saw, drill, spirit level, hammer, mastic gun, utility knife, square.

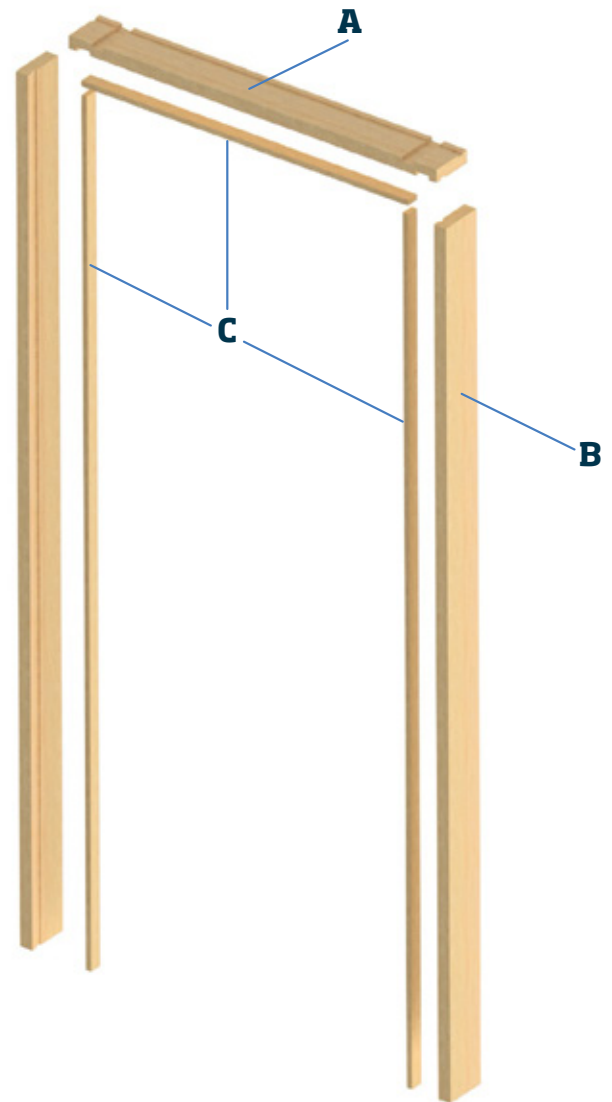
Kit contents

A - Trenched Header x 1

B - Door Jambs x 2

C - Door stops x 3

Note - fixings are not supplied



Download our Interactive Wall Panel Collection Brochure

Includes lots of new Clickable content



Sign up for our New Trade App



Fitting Instructions

Assembling the Frame

Flip the trenched header to suit the width of door being installed. Apply pva glue to header trench and offer jambs into header. Drill two pilot holes down through the top of the header into each jamb and secure with screws (**Fig 1**).

Cut header ends so it fits into structural opening. Check your door height and cut the side jambs to suit (**Fig 2**).

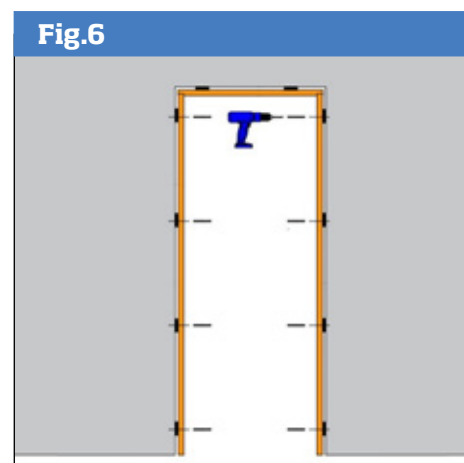
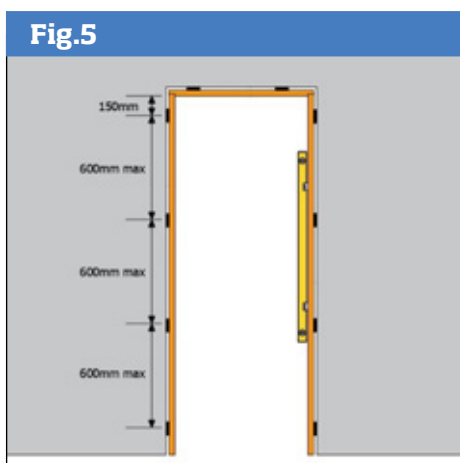
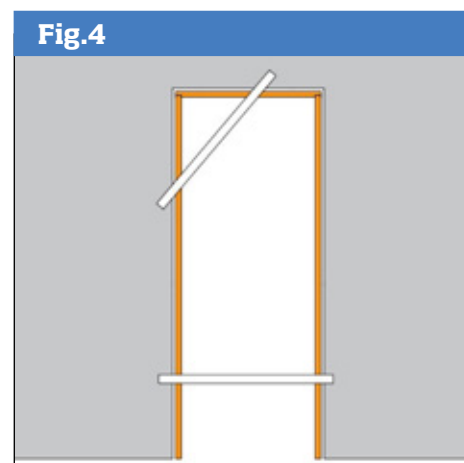
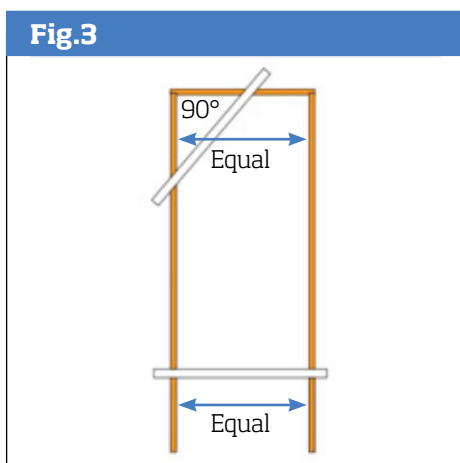
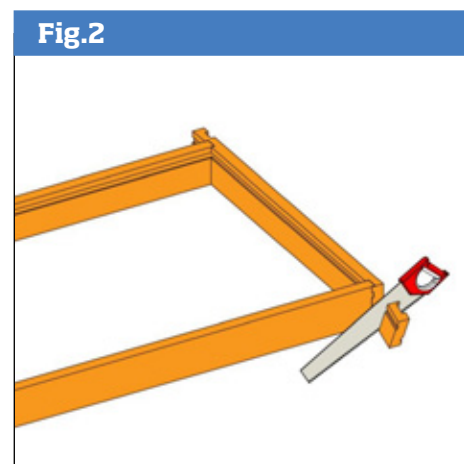
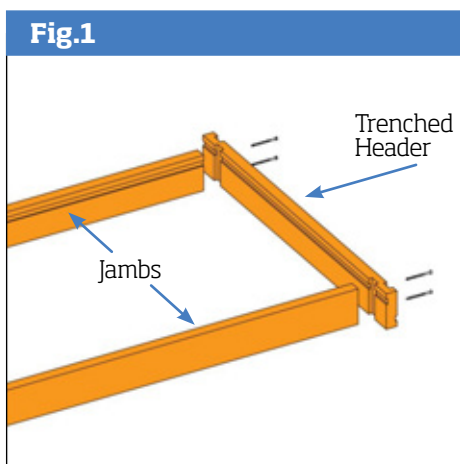
Fitting the Frame

Fix some scrap timber battens to stabilise the frame, ensuring that the corners are perfectly square and the top and bottom measurements between the jambs are equal (**Fig 3**).

Offer the assembled frame into the structural opening ensuring that the faces of the frame are flush with the finished wall face (**Fig 4**).

Apply packers around the frame ensuring the frame header remains level and the jambs perpendicular using a spirit level. A minimum of four packers each side starting approx. 150mm from the top of the frame then 600mm max centres for the remainder (**Fig 5**). Check all sides are level and vertical.

For the frame fixings, pilot drill through the frame in close relation to the packers and countersink/counterbore the hole (**Fig 6**). Try to drill centrally to the jamb face. This will stop the frame from distorting when the screws are secured. Check sides are level and vertical and top and bottom measurements between jambs are the same. Adjust where required.



The screws should be inserted into the surrounding wall to a minimum depth of 50mm (**Fig 7**). Fill and sand screw holes or fill with timber flush pellet. Alternatively, the doorstops should also be able to cover the screw heads.

Filling Frame to Wall Gap

Once fixed, fill the gap between the frame and structural opening with mineral wool then cap off both sides with an intumescent mastic to a depth of 10mm (**Fig 8**).

Fitting Door Stops

The loose doorstops are best installed after the door has been hung. The doorstops are fitted once the frame, frame gap filler and door fit have all been checked.

Measure and cut door stops to length. Apply pva to back face of doorstop and fix with 40mm pins. Pin locations should be 50mm from top and bottom and the remainder at 300mm centres max (**Fig 9**).

The doorstops should be tight up against the door.

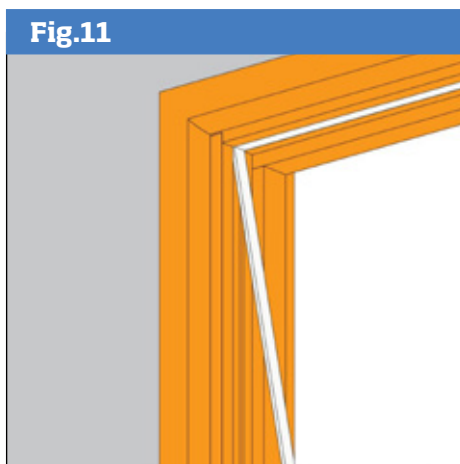
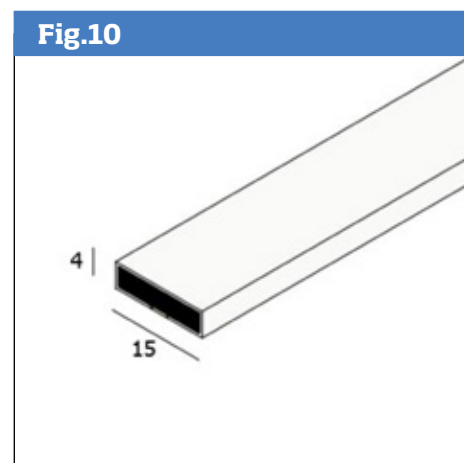
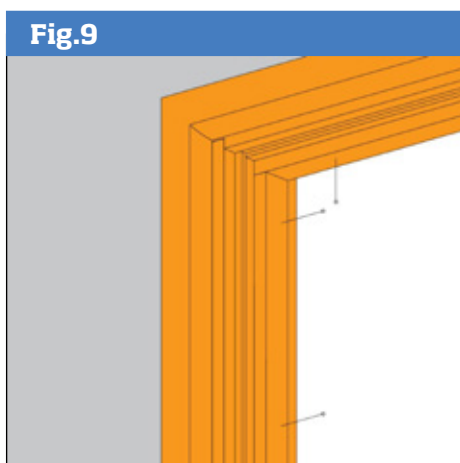
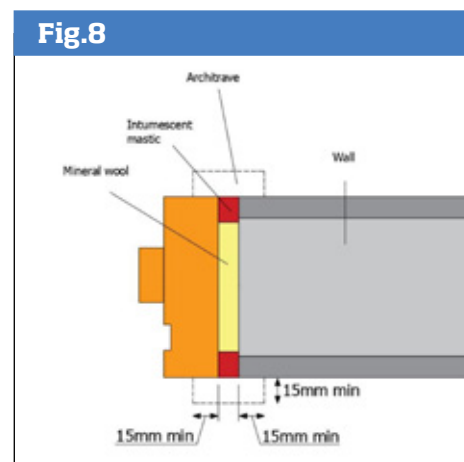
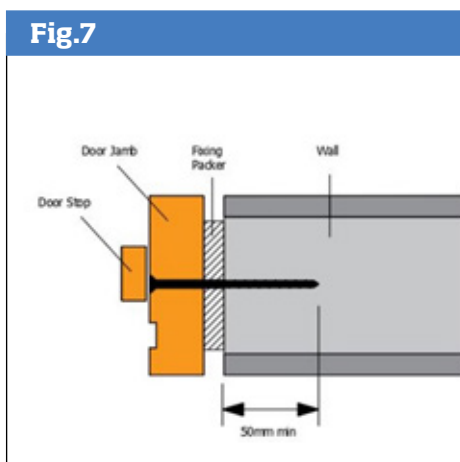
Alternatively, measure the thickness of the door and mark this plus 1mm, around the inside of each jamb and the header. Measure and cut door stops then glue and pin to marks as per above.

Fitting Intumescent Strip

The fire door lining is rebated to accept 15mm x 4mm intumescent strips (**Fig 10**).

Measure and cut your preferred intumescent strips to length. Remove self adhesive backing and offer into frame rebates ensuring it fills all three sides (**Fig 11**).

Note - if the frames are going to be painted, it may be better to fit the intumescent seals after painting.



Check out our huge **PRODUCT RANGE**

We supply more than you think



www.cheshiremouldings.co.uk



Technical Helpline:
Freephone
0800 085 3475

